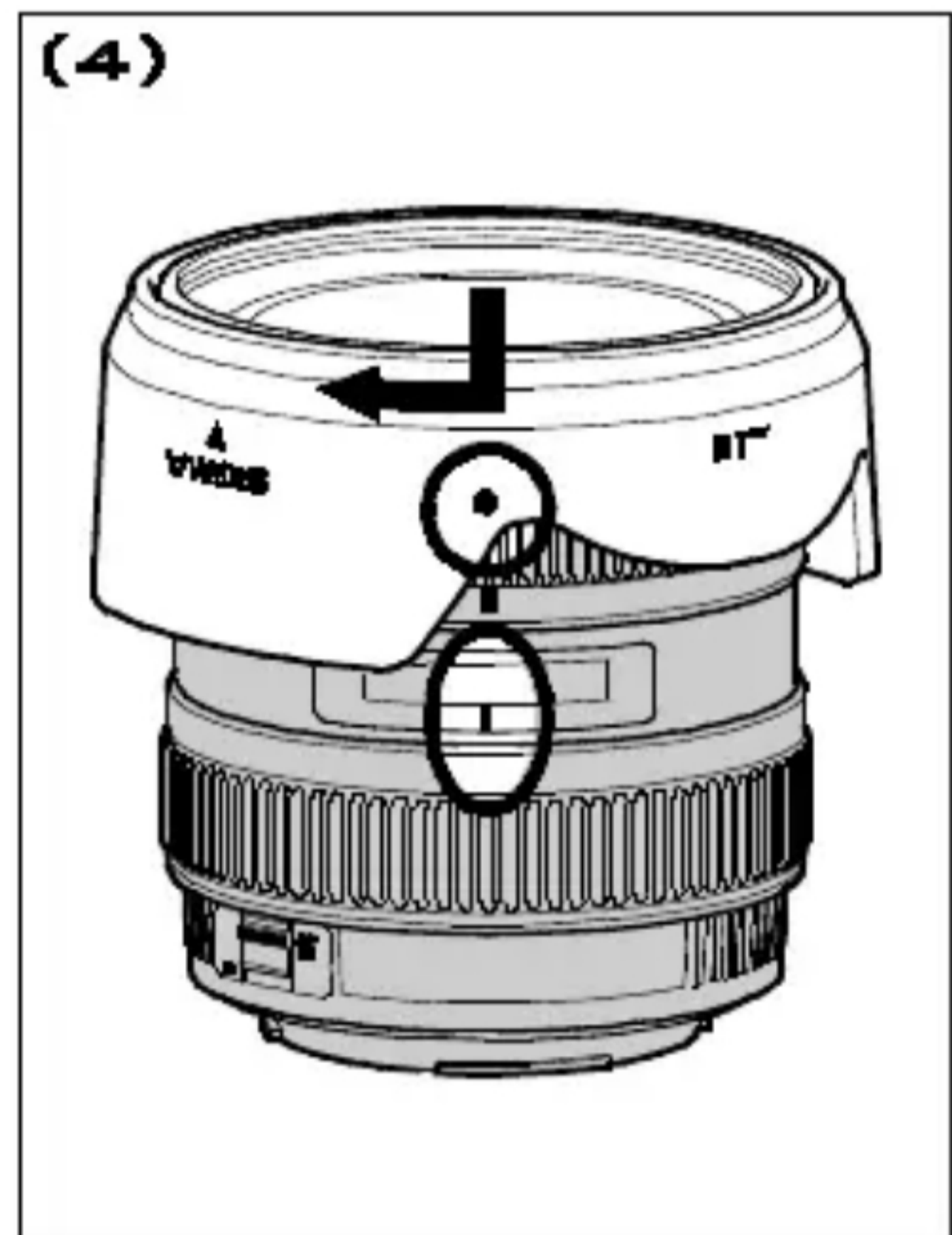
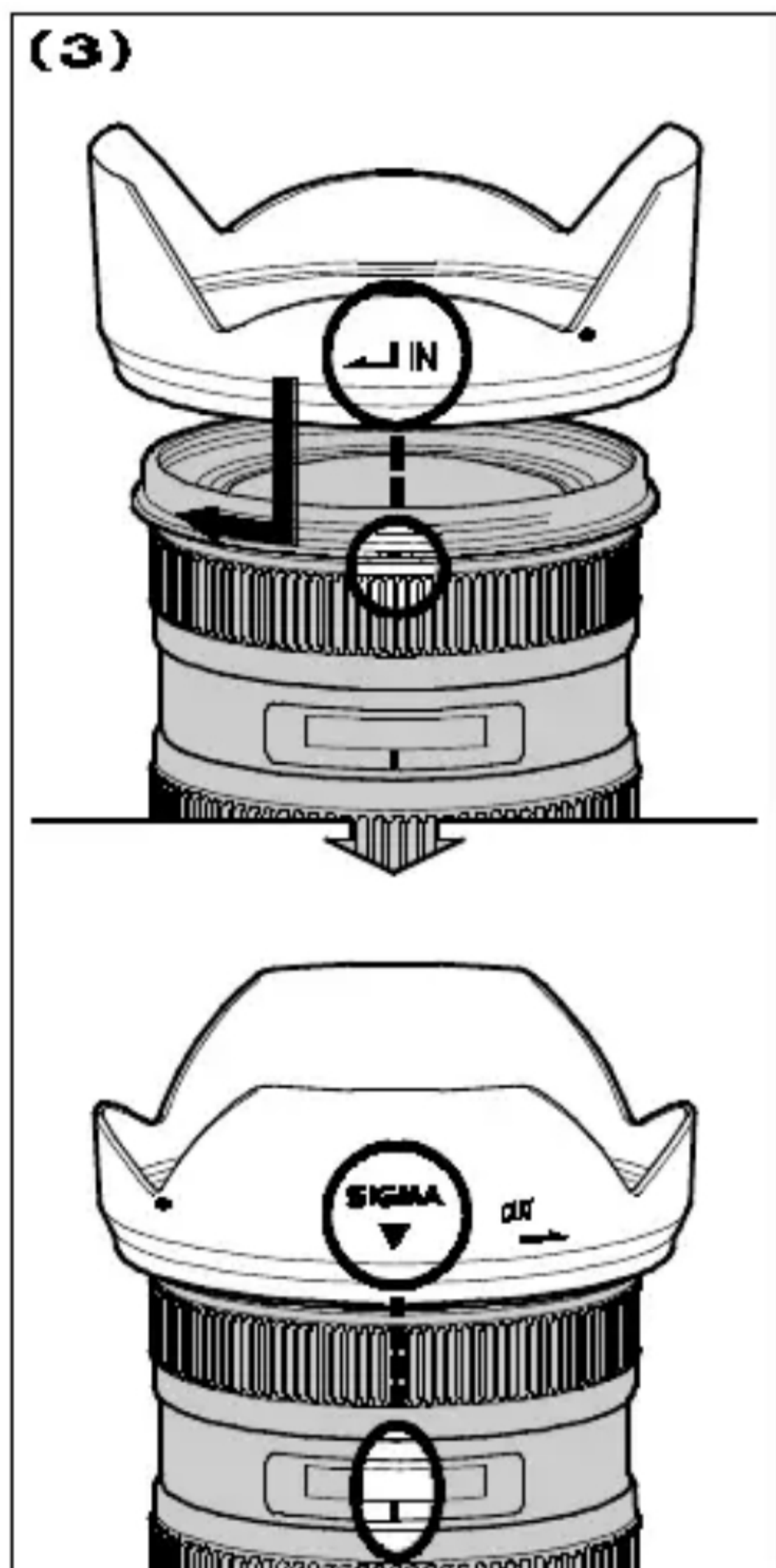
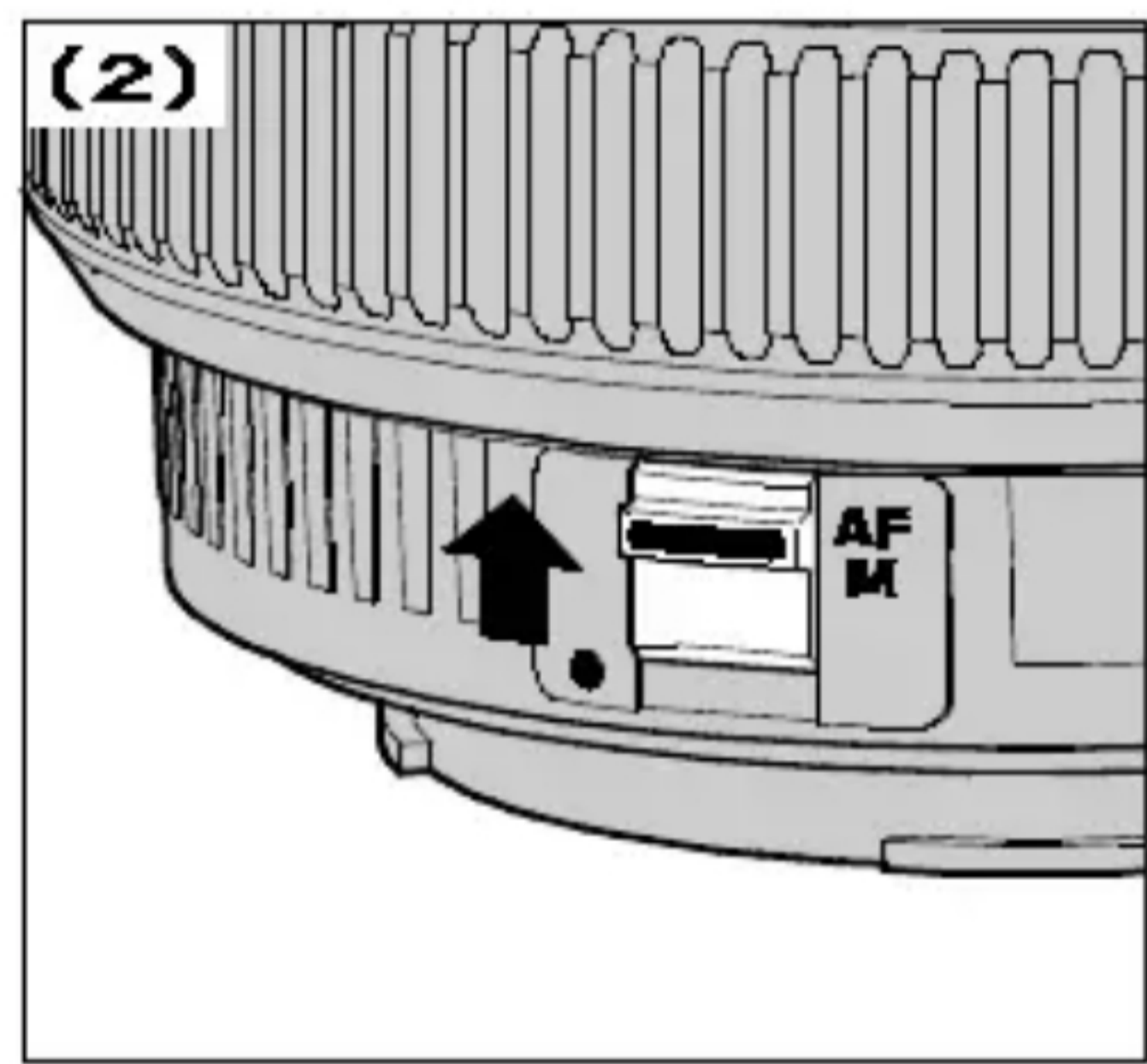
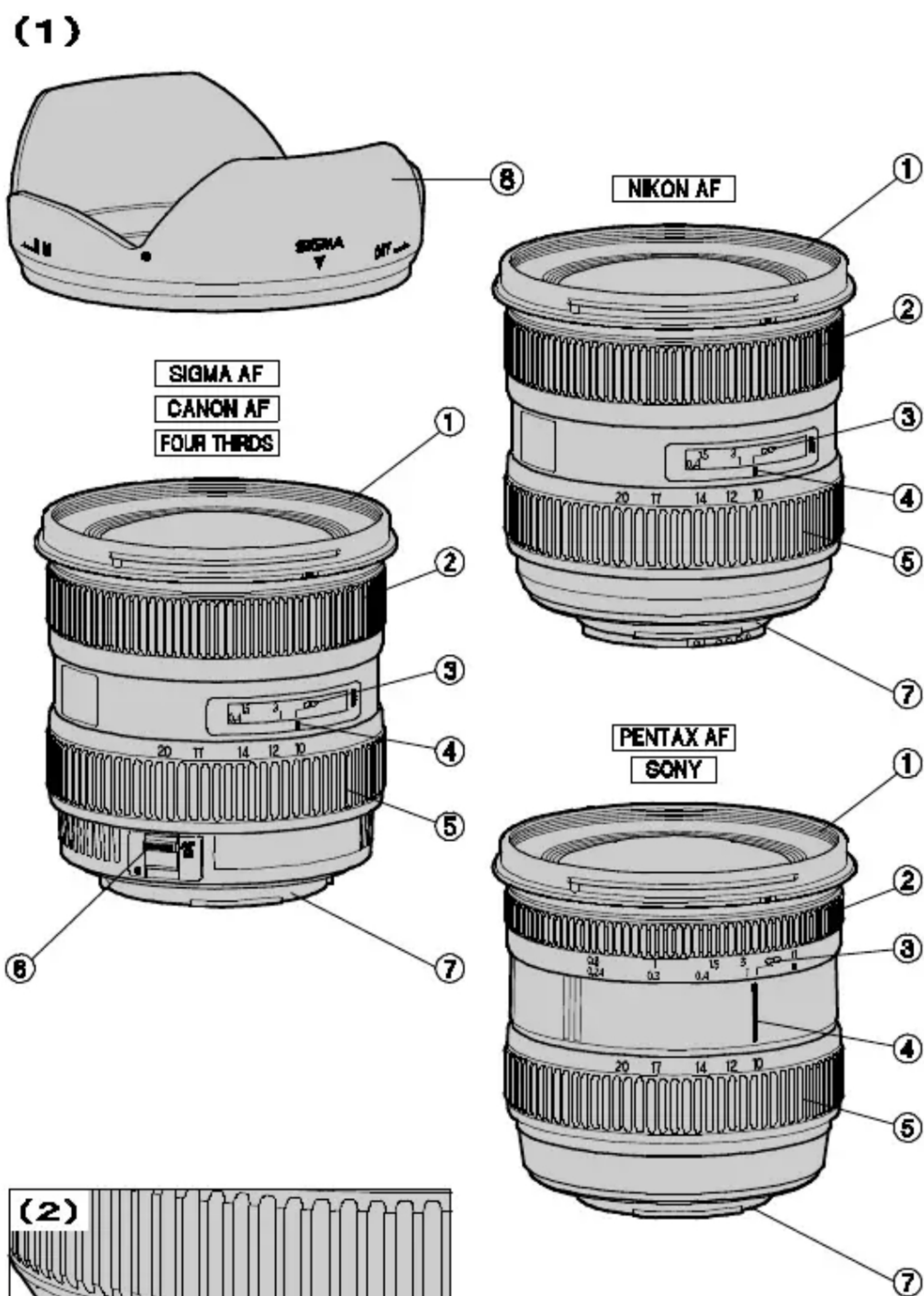


Thank you very much for purchasing a Sigma Lens. In order to get the maximum performance and enjoyment out of your Sigma lens, please read this instruction booklet thoroughly before you start to use the lens.

DESCRIPTION OF THE PARTS (fig.1)

- ① Filter Attachment Thread
- ② Focus Ring
- ③ Distance Scale
- ④ Focus Index Line
- ⑤ Zoom Ring
- ⑥ Focus Mode Switch (SIGMA SA / CANON AF / FOUR THIRDS)
- ⑦ Mount
- ⑧ Lens Hood



DC LENS

These are special lenses that are designated for digital cameras because the lens image circle is designated to correspond to the size of the image sensors of most digital SLR cameras. The specialized design gives these lenses the ideal properties for digital cameras.

- An image sensor element larger than those corresponding to APS-C cannot be used in digital cameras or 35mm SLR cameras. If such an element is used vignetting will occur on the picture surface.
- If you use SD14, SD10 or SD10 digital cameras, corresponding angle of view will be 17-34mm.

ATTACHING TO CAMERA BODY

When this lens is attached to the camera body it will automatically function in the same way as your normal lens. Please refer to the instruction booklet for your camera body.

- On the lens mount surface, there are a number of couplers and electrical contacts. Please keep them clean to ensure proper connection. To avoid damaging the lens, be especially sure to place the lens with its front end down while changing the lens.
- Many accessories such as rear mounted teleconverters, extension tubes, etc., are specially made for designated lenses. Before you purchase such accessories, please check your Sigma lens to determine that it is compatible and that the accessories will function properly with it.

SETTING THE EXPOSURE MODE

The sigma lens functions automatically after mounting to your camera. Please, refer to the camera instruction book.

FOCUSING AND ZOOMING

《FOR SIGMA AF, CANON AF, NIKON AF AND FOUR THIRDS》

This lens features Sigma's built-in Hyper Sonic Motor (HSM). The HSM enables quick and quiet autofocus.

For autofocus operation, set the focus mode switch on the lens to "AF" position (fig.2) (for Nikon AF, select the autofocus mode on your camera body) (For Four-Thirds, select the autofocus mode on your camera body and set the focus mode switch on the lens to the "AF" position).

If you wish to focus manually, set the focus mode switch on the lens to the "M" position. (for Nikon AF, select the manual focus mode on your camera body as you would do normally) (For Four-Thirds, select the manual focus mode on your camera body and set the focus mode switch on the lens to the "M" position). You can adjust the focus by turning the focus ring.

- This lens also permits manual focusing even in the autofocus mode. With the camera set to the One-Shot AF (AF-S) mode, you can adjust focus manually after the lens autofocus (and stops), while the shutter button is pressed halfway. (In the case of Four-Thirds fitting, the setting method varies depending on the camera body. Please follow the instruction manual of your camera body.)
- When operating this lens in manual focus mode, it is recommended that correct focus be confirmed visually in the viewfinder rather than relying on the distance scale. This is due to possible focus shift resulting from extreme changes in temperature which cause various components in the lens to expand and contract. Special allowance is made for this at the infinity setting.

《FOR SONY AF AND PENTAX AF》

For autofocus operation, set the camera's focus mode to AF. If you wish to focus manually, set the camera's focus mode to "MF" and adjust the focus by turning the focus ring.

- To avoid damaging AF mechanism, please do not turn the focus ring manually while in the autofocus mode.
- When operating this lens in manual focus mode, it is recommended that correct focus be confirmed visually in the viewfinder rather than relying on the distance scale. This is due to possible focus shift resulting from extreme changes in temperature which cause various components in the lens to expand and contract. Special allowance is made for this at the infinity setting.

《ZOOMING》

Rotate the Rubber grip on the zoom ring to the desired position.

LENS HOOD

A bayonet type detachable hood is provided with the lens. This lens hood helps to prevent flare and ghosted images caused by bright illumination from outside the picture area. Attach the hood and turn clockwise until it stops rotation. (fig.3)

- In order to place the lens and hood into the storage case, you must first remove the hood, then replace it on the lens in the reverse position. (fig.4)

FLASH PHOTOGRAPHY

Built-in flash of your camera may not cover angle of view of this lens, and this may cause light fall-off at the corners. When external flash is used, flip wide panel of your flashgun down to cover flash's head, before taking picture.

(This may not work with some flashguns, please test your equipment shootings beforehand)

FILTER

- Only one filter should be used at the time. Two or more filters and/or special thicker filters, like a polarizing filter, may cause vignetting.
- When using a polarizing filter with AF camera, use the "circular" type.

BASIC CARE AND STORAGE

- Avoid any shocks or exposure to extreme high or low temperatures or to humidity.
- For extended storage, choose a cool and dry place, preferably with good ventilation. To avoid damage to the lens coating, keep away from mothballs or naphthalene gas.
- Do not use thinner, benzene or other organic cleaning agents to remove dirt or finger prints from the lens elements. Clean by using a soft, moistened lens cloth or lens tissue.
- This lens is not waterproof. When you use the lens in the rain or near water, keep it from getting wet. It is often impractical to repair the internal mechanism, lens elements and electric components damaged by water.
- Sudden temperature changes may cause condensation or fog to appear on the surface of the lens. When entering a warm room from the cold outdoors, it is advisable to keep the lens in the case until the temperature of the lens approaches room temperature.

TECHNICAL SPECIFICATIONS

Lens construction	10 - 14
Angle of View	102.4 - 63.8°
Minimum Aperture	22
Minimum Focusing Distance	24cm (0.79 ft)
Magnification	1:6.7
Filter Size	77mm
Dimensions Dia.×Length	83.5×81mm (3.3×3.2 in)
Weight	465g (16.4 oz)

Dimensions and weight include the SIGMA mount.

CE The CE Mark is a Directive conformity mark of the European Community (EC).

SIGMA (Deutschland) GmbH Carl-Zeiss-Str. 10/2, D-63322 Rödermark, F.R.GERMANY
 Verkauf: 01805-90 90 85-0 Service: 01805-90 90 85-85 Fax: 01805-90 90 85-35